



## Serenity Series Bathroom Accessories

### Material Specifications

- Stainless Steel

### Available Finishes

- Polished Stainless Steel
- Designer Black
- Graphite

### Dimensions

**ML\_T82201\_PSS:** Polished Stainless Steel Single Towel Rail – 600mmW x 25mmH x64mmD

**ML\_T82201\_DESIGNER:** Designer Black Single Towel Rail – 600mmW x 25mmH x64mmD

**ML\_T82201\_GRAPHITE:** Graphite Single Towel Rail – 600mmW x 25mmH x64mmD

**ML\_T82202\_PSS:** Polished Stainless Steel Double Towel Rail – 600mmW x 25mmH x114mmD

**ML\_T82202\_DESIGNER:** Designer Black Double Towel Rail – 600mmW x 25mmH x114mmD

**ML\_T82202\_GRAPHITE:** Graphite Black Double Towel Rail – 600mmW x 25mmH x114mmD

**ML\_T82203\_PSS:** Polished Stainless Steel Soap Dish - 230mmW x 25mmH x98mmD

**ML\_T82203\_DESIGNER:** Designer Black Soap Dish - 230mmW x 25mmH x98mmD

**ML\_T82203\_GRAPHITE:** Graphite Soap Dish - 230mmW x 25mmH x98mmD

**ML\_T82205\_PSS:** Polished Stainless Steel Single Toilet Roll Holder - 210mmW x 70mmD

**ML\_T82205\_DESIGNER:** Designer Black Single Toilet Roll Holder - 210mmW x 70mmD

**ML\_T82205\_GRAPHITE:** Graphite Single Toilet Roll Holder - 210mmW x 70mmD

**ML\_T82206\_PSS:** Polished Stainless Robe Hook - 249mmW x 33mmH x64mmD

**ML\_T82206\_DESIGNER:** Designer Black Robe Hook - 249mmW x 33mmH x64mmD

**ML\_T82206\_GRAPHITE:** Graphite Robe Hook - 249mmW x 33mmH x64mmD

**ML\_T82207\_PSS:** Polished Stainless Steel Single Towel Rail 25mmW x 60mmH x64mmD

**ML\_T82207\_DESIGNER:** Designer Single Towel Rail - 25mmW x 60mmH x64mmD

**ML\_T82207\_GRAPHITE:** Graphite Single Towel Rail - 25mmW x 60mmH x64mmD

**ML\_T82218\_PSS:** Polished Stainless Steel Shower Shelf - 500mmW x 25mmH x121mmD

**ML\_T82218\_DESIGNER:** Designer Shower Shelf - 500mmW x 25mmH x121mmD

**ML\_T82218\_GRAPHITE:** Graphite Shower Shelf - 500mmW x 25mmH x121mmD

# Installation Guidelines Sheet



ML\_T82201\_PSS



ML\_T82201\_DESIGNER



ML\_T82201\_GRAPHITE



ML\_T82202\_PSS



ML\_T82202\_DESIGNER



ML\_T82202\_GRAPHITE



ML\_T82203\_PSS



ML\_T82203\_DESIGNER



ML\_T82203\_GRAPHITE



ML\_T82205\_PSS



ML\_T82205\_DESIGNER



ML\_T82205\_GRAPHITE



ML\_T82206\_PSS



ML\_T82206\_DESIGNER



ML\_T82206\_GRAPHITE



ML\_T82207\_PSS



ML\_T82207\_DESIGNER



ML\_T82207\_GRAPHITE



ML\_T82218\_PSS



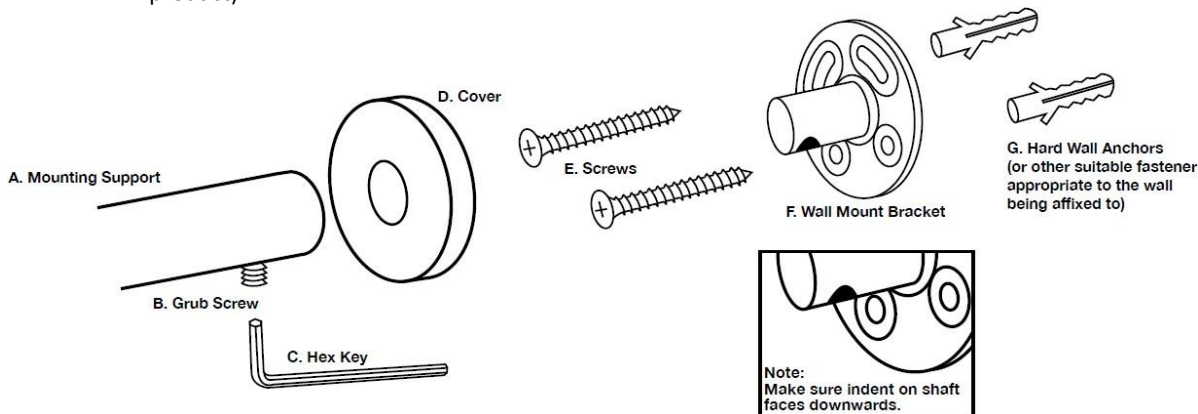
ML\_T82218\_DESIGNER



ML\_T82218\_GRAPHITE

## Installation Guidelines

- *May be subject to Australian Building Code Regulations for height and location fixing and may be subject to placement as per architectural drawings. In all cases, this is the responsibility of the installer.*
1. Loosen Grub Screw (B) in Mounting Support (A) with Hex Key (C) and remove Wall Mount Bracket (F) and separate from Cover (D).
  2. Locate height of relevant Serenity fixture and using one slotted and one opposing hole in Wall Mount Bracket (F), align so as indent on shaft faces downwards (Grub Screw aligns into the indent) and mark fastening locations onto the surface being affixed to (a minimum of 2 anchor points per Wall Mount Bracket (F) MUST be used).
    - **Note:** For dual Mounting Support application, ensure that height positions are parallel and Centre to Centre measurements are correct.
  3. Drill holes in marked positions, insert Hard Wall Anchors (G) or other suitable fasteners appropriate to the surface being affixed to.
  4. Place Screws (E) through Wall Mount Bracket (F) and loosely tighten Screws (E) into Anchors (F) and recheck and/or adjust alignment, then firmly secure Screws (E) to hold Wall Mount Bracket (F) firmly to surface being affixed to.
  5. 5. Position Cover (D) over Wall Mount Bracket (F) then slide Mounting Support (A) onto shaft of Wall Mount Bracket (F) and secure Grub Screw (B) ensuring it aligns into the indent. (Please note the wall mounted brackets may vary based on selected product).



*The technical recommendations contained in this document are necessarily of a general nature and should not be relied on for specific applications without first securing competent advice. Whilst Metlam Australia Pty Ltd has taken all reasonable steps to ensure the information contained herein is accurate and current, it does not warrant the accuracy or completeness of the information and does not accept liability for errors or omissions. Any Commercial product should only be installed by a competent tradesperson and serviced/maintained by knowledgeable janitorial staff or competent people. Metlam Australia accepts no responsibility for any damage to product, walls or fixtures due to incorrect installation or maintenance of any of their products.*

# Installation Guidelines Sheet

